



IMPORTANT SAFETY INSTRUCTIONS

When using an electrical furnishing, basic precautions should always be followed, including the following:
Read all instructions before using this furnishing.

DANGER - To reduce the risk of electric shock.

1. Always unplug this furnishing from the electrical outlet before cleaning.

WARNING - To reduce the risk of burns, fire, electric shock, or injury to persons:

1. Unplug from outlet before putting on or taking off parts.
2. Close supervision is necessary when this furnishing is used by, or near children, invalids, or disabled persons.
3. Use this furnishing only for its intended use as described in these instructions. Do not use attachments not recommended by the manufacturer.
4. Never operate this furnishing if it has a damaged cord or plug, if it is not working properly, if it has been dropped or damaged, or dropped into water. Return the furnishing to a service center for examination and repair.
5. Keep the cord away from heated surfaces.
6. Never operate the furnishing with air openings blocked. Keep the air openings free of lint, hair, and the like.
7. Never drop or insert any object into any opening.
8. Do not use outdoors.
9. Do not operate where aerosol(spray)products are being used or where oxygen is being administered.
10. To disconnect, turn all controls to the off position, then remove plug from outlet.
11. Risk of Electric Shock. Connect this furnishing to a properly grounded outlet only.
See grounding instructions.
12. This furnishing is intended for commercial use.

CAUTION

Hot surface. Keep away from curtains and other combustible materials.

- Do not touch hot lens, guard, or enclosure

Lamp gets HOT quickly!

- Contact only switch/plug when turning on.
- Do not touch the lamp at any time. Use a soft cloth. Oil from skin may damage lamp.

Lighted lamp is HOT!

- Keep lamp away from materials that may burn.
- Turn off power and allow to cool before replacing lamp.

Do not operate the luminaire with a missing or damaged shield.

Consult a qualified electrician to ensure correct branch circuit conductor.

GROUNDING INSTRUCTIONS

This product must be connected to a grounded metal, permanent wiring system, or an equipment-grounding conductor must be run with the circuit conductors and connected to the equipment-grounding terminal or lead on the product.

USER-MAINTENANCE INSTRUCTIONS

1. This furnishing is non-lubrication and any other servicing is to be performed by an authorized service representative.

SAVE THESE INSTRUCTIONS

KIMBALL and YOUNG

Model:929x3HW

Manufacturing Date:MMYY

120V~, 0.35A,60Hz

SUITABLE FOR DAMP LOCATIONS

For Commercial Use Only

Kimball & Young

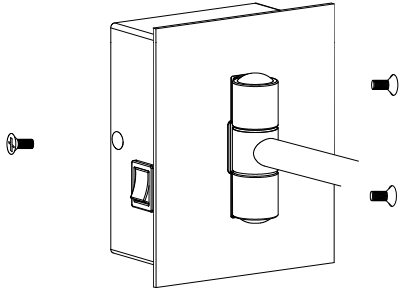
LIGHTED WALL MIRROR MOUNTING & WIRING INSTRUCTIONS

For Model: 929x3HW

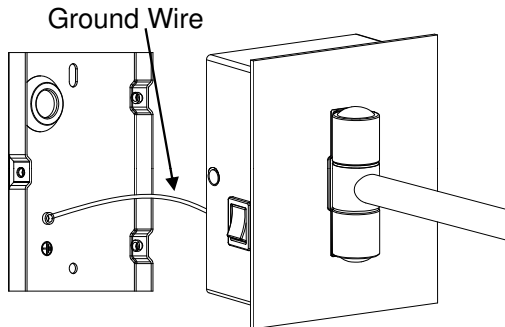
Kimball & Young, Inc. recommends using a qualified electrician for all electrical wiring procedures and installation. A standard 120V~ AC electrical box must be installed at the desired location of the wall mirror before continuing. Installation must include ground wire.

First: Installation step (refer to the pictures, subject to the product)

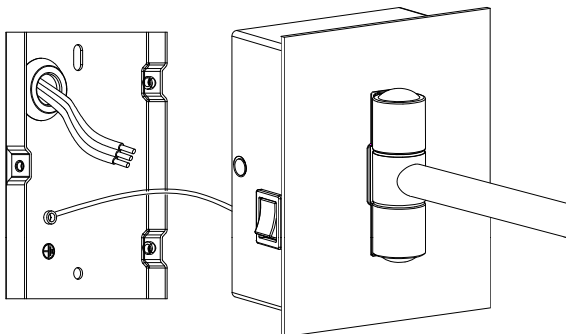
1. Remove the mounting screws on the both sides of the mirrors wall mount.



2. Remove the mounting plate from the base, inspect and ensure the terminals of ground wire are tighten on both side.



3. Feed the electrical wire from the electrical box, through the mounting plating, and reserved convenient length.



~ Please turn over for next step ~

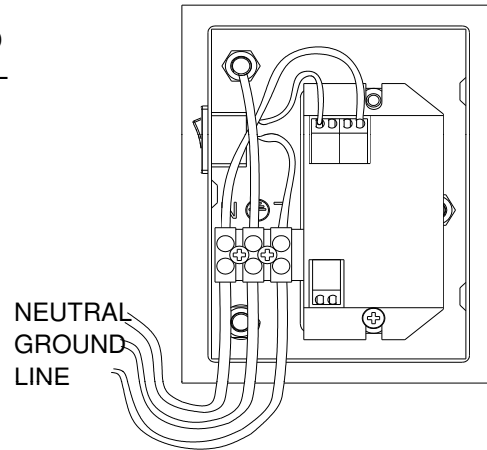
Kimball & Young

LIGHTED WALL MIRROR MOUNTING & WIRING INSTRUCTIONS

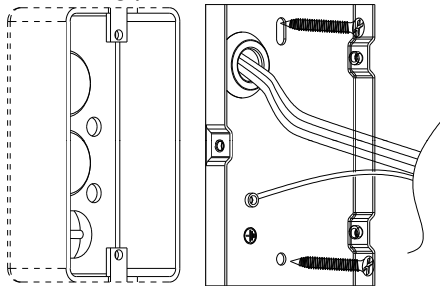
For Model: 929x3HW

4. On the wall mount, connect the electrical wire and ground wire to the terminal connector in turn and then tighten each set screw.

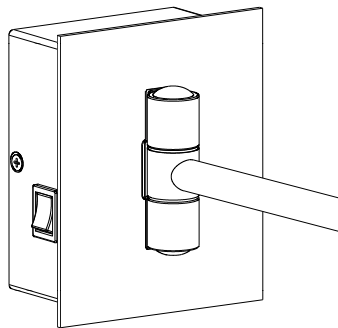
L → LINE
⊕ → GROUND
N → NEUTRAL



5. Secure the mounting plate to the electrical box on the wall with two (2) wall anchors and mounting screws.



6. Install mirror and wall mount over the wall plate and secure using the three (3) mounting screws.



Second: Electrical Data

Voltage rating: AC120V~,60Hz

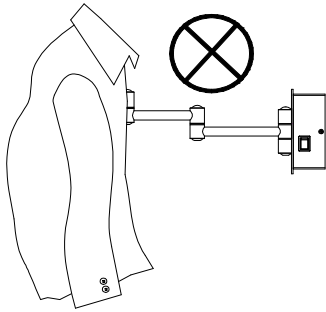
Wattage rating: 6W

Electric current rating: 350mA

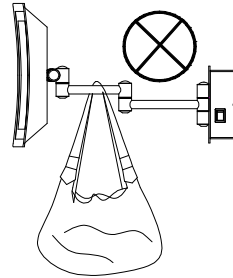
Kimball & Young

User Guide For Model: 929x3HW

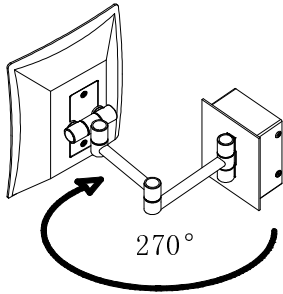
1. **DO NOT** hang clothes or towels on mirror for drying.



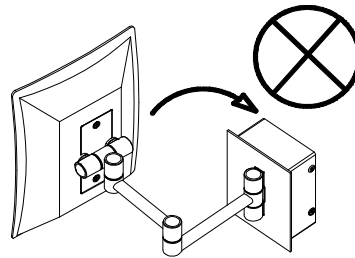
2. **DO NOT** hang any items, such as handbags on the extension arms of mirror.



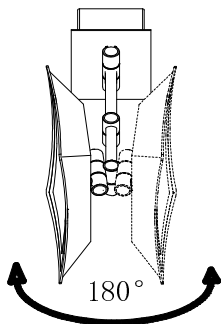
3. The short extension arm can rotate maximum to 270 degree from long extension arm.



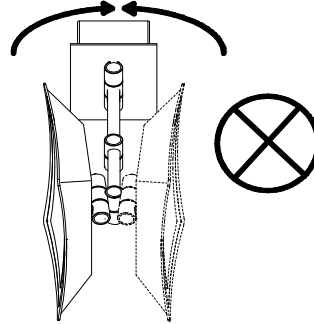
4. **DO NOT** push extension arms further once they reach 270 degree.



5. The short extension arm can rotate maximum to 180 degree from long extension arm.



6. **DO NOT** push extension arms further once they reach 180 degree.



7. **DO NOT** rotate mirror or arms rapidly or in great force over 20LBS. Correct rotation should be slow and gentle. **DO NOT** rotate mirror in single direction repeatedly for many times.

