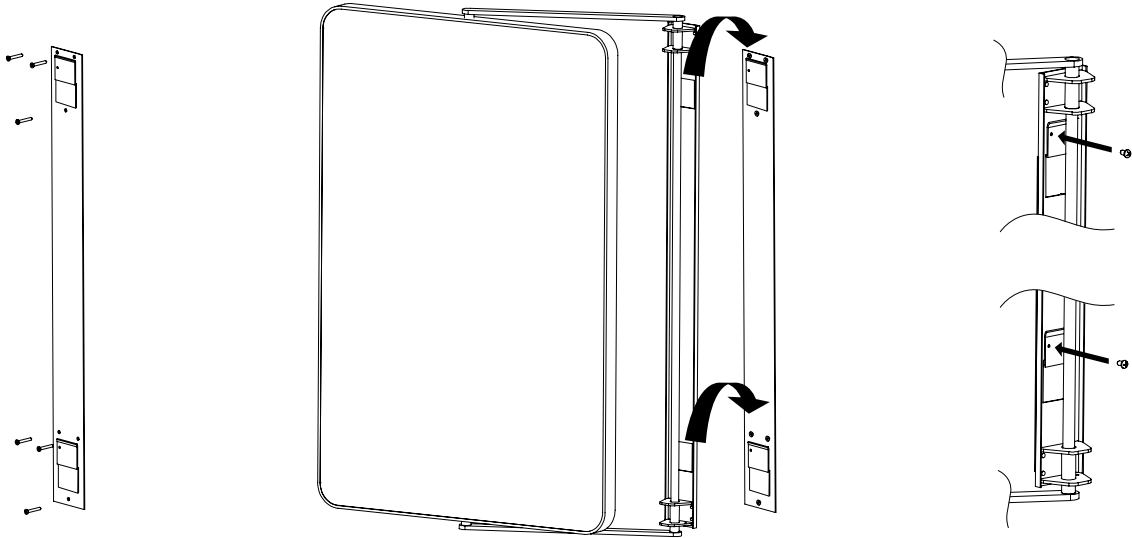


INSTALLATION INSTRUCTIONS

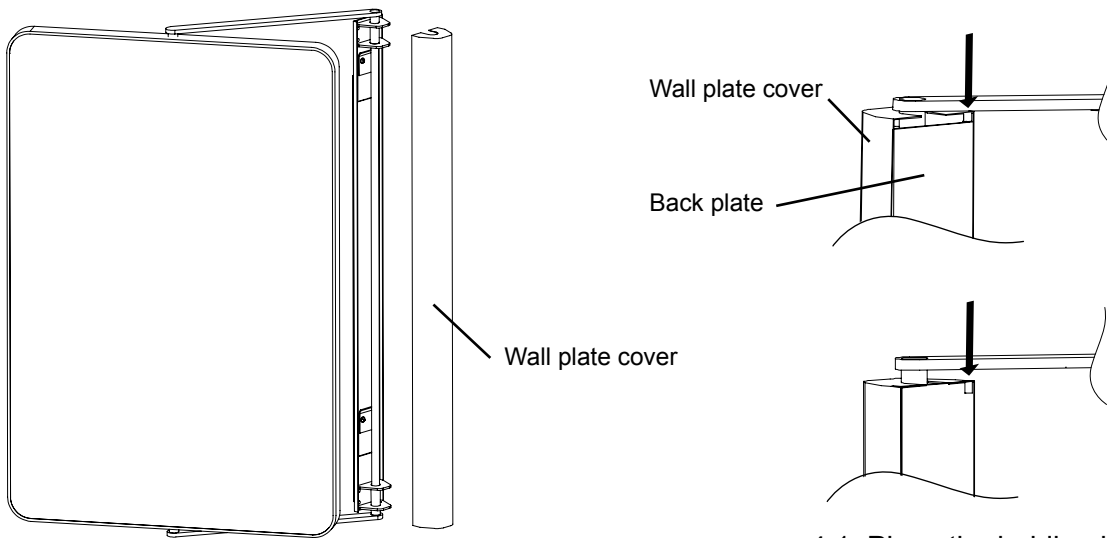
330X1



1. Install the back plate by fastening screws into the wall. (Use back base plate as template for drilling)

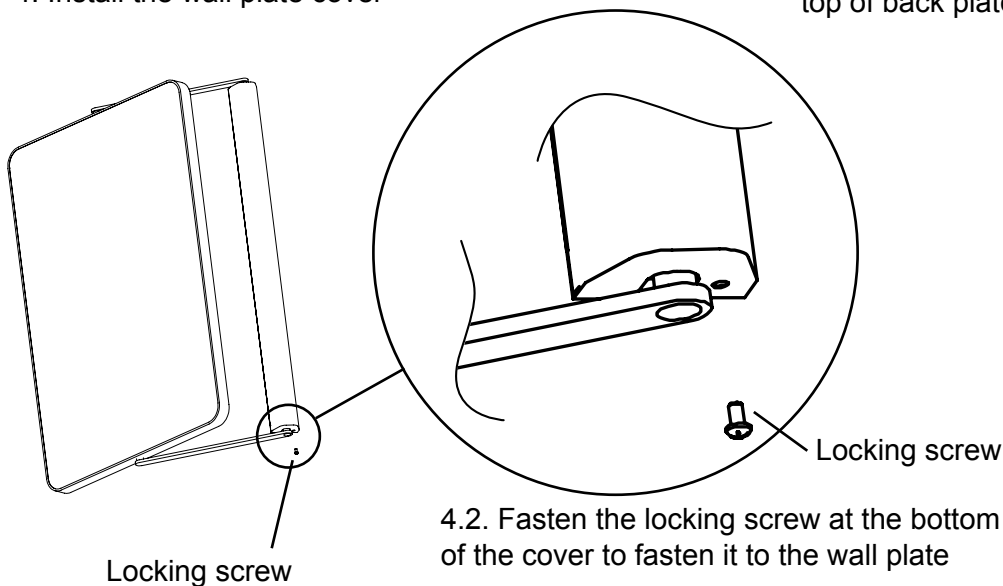
2. Mount wall plate by latching upper and lower slots on wall plate onto back plate on wall

3. Fasten screws into latches of back plate to fasten and lock with mounted wall plate



4. Install the wall plate cover

4.1. Place the holding latch of the cover on top of back plate and slide downward



4.2. Fasten the locking screw at the bottom of the cover to fasten it to the wall plate