

# ILLUMINATED MIRRORS - LED

## IMPORTANT ADVICE & SAFETY - please read before installation

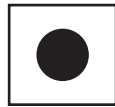
Please read these instructions carefully before starting installation and keep in a safe place for future reference. Manufacturer recommends using a qualified electrician for all electrical wiring procedures. Please turn off all power to site prior to installation.

Check the contents of the pack carefully before installation. Manufacturer is not responsible for removal/reinstallation costs where a defective product has been installed. If any fault is found with materials or workmanship, it must be reported immediately to the manufacturer. Remedial action will be taken, based on information received, on condition that: 1. Full details are supplied to the manufacturer; 2. The product has not been modified or tampered with; 3. The manufacturer is informed of any damage/shortages prior to installation. 4. The product has not been installed, or attempts have been made to install. We do not accept responsibility for any problems that may occur through incorrect installation.

Before drilling ensure there are no hidden cables or pipes (water, gas or electrical) behind hanging points. Always wear suitable eye protection when drilling. Ensure the wall surface is able to hold the weight of the complete product.

## INSTALLATION INSTRUCTIONS

### 120V~16W~60Hz



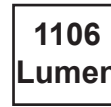
LED  
Max. 16W



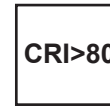
36351HW  
LED



36001HW  
LED



LED

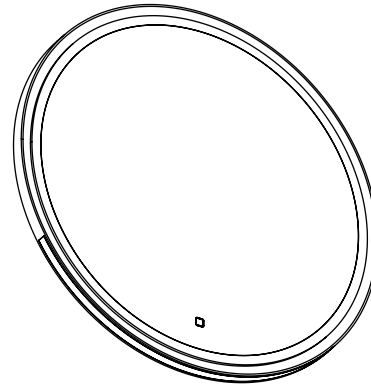
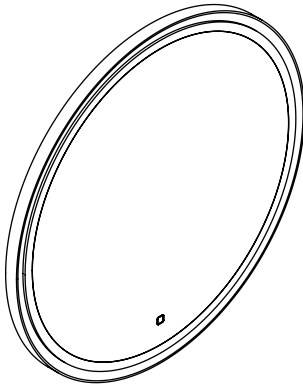


LED

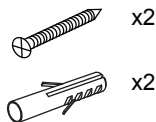


LED

It is recommended that walls are fully tiled/finished before installation. This ensures that the product is installed flat to the wall face and allows product to be easily removed if required in the future.

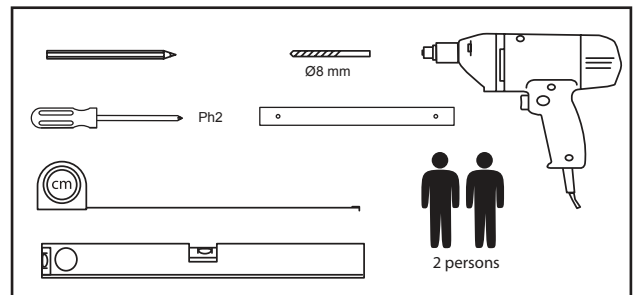


Remove all outer packing and carefully check the product is in perfect condition. The mirror is supplied with a protective film DO NOT remove this until installation is complete.



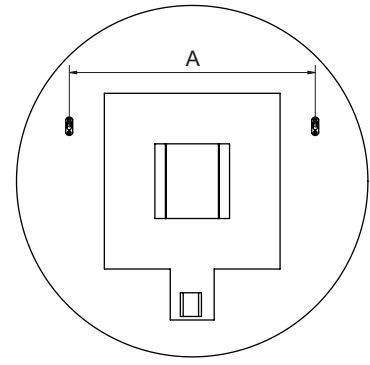
x2

x2



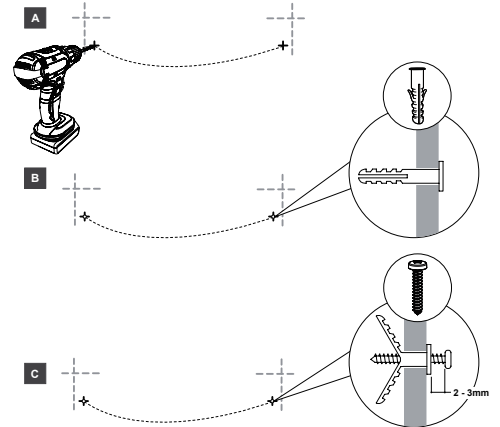
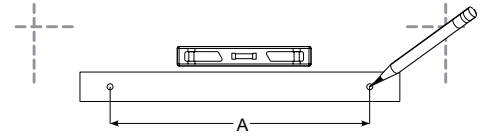
## STEP 1

Measure distance between the centers of top points of mounting keyholes. Use top points as drilling locations. Mark distance and drilling locations with pencil on paper template provided. Ensure markings are leveled. Place paper template on wall and use as guide for drilling. Ensure drilling locations are leveled.  
 Note; There is distance tolerance of approximately 1mm between keyholes from unit to unit.



## STEP 2

**INSTALL SCREWS**  
 Using a drill, make holes and fill with supplied plugs and screws. Leave a gap 2 - 3mm between the head of the screw and the wall.

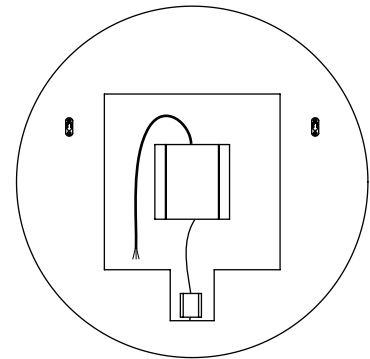


## STEP 3

Hold the mirror frame in the necessary position to connect. Using suitable tools and wire lead connection accessories (not included), fasten and secure connections as follows:

- |   |   |         |                  |
|---|---|---------|------------------|
| L | → | LINE    | Wire Color Black |
| ⊕ | → | GROUND  | Wire Color Green |
| N | → | NEUTRAL | Wire Color White |

**THIS PRODUCT IS MANUFACTURED TO CLASS I CATEGORY AND MUST HAVE AN EARTH/GROUND CONNECTION**

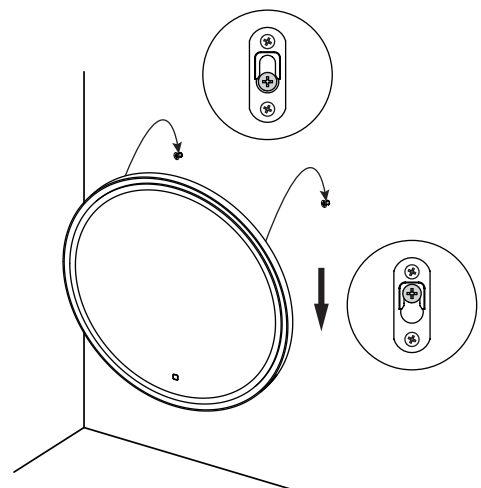


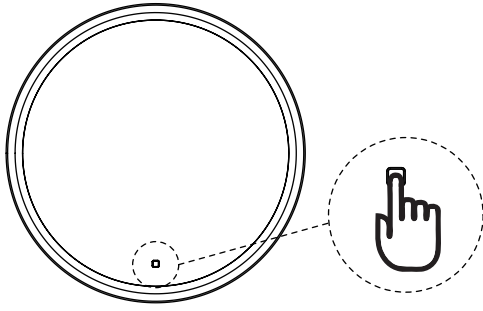
## STEP 4

Stow electrical connections in an electrical box in accordance with regional National Electrical Code (NEC) code. Hang the mirror into the key hole.

(Optional) Apply a bead of clear silicone sealant on all sides between the mirror frame and wall surface. Allow to dry for 24 hours.

Restore power to site and turn on mirror.  
 Remove protective film from the mirror face, and clean as directed below.





To turn illumination on/off touch and hold the touch sensor.  
Touch sensor once to switch on the light.

Touch sensor switch multiple times to turn on optional Night Light setting.  
(ONLY on mirror model with Night Light option)

First setting — Main light on ONLY  
Second setting — Main light on & Night Light ON  
Third setting — Night light on ONLY  
Fourth setting — All lights off

## CARE & MAINTENANCE

LED light strips last for thousands of hours under normal use, in the unlikely event that the LED light strip should fail please Contact customer services.

Do not strike/hit glass components with hard or pointed items. Do not place very hot or very cold items against or in close proximity to glass surfaces unless a suitably thick insulation material is used.

The nominal thickness of the mirror glass used in this product is 5mm and is safety film backed in accordance to BS:EN6206 for your safety. If the mirror glass becomes chipped or broken, replace immediately. For details on replacement mirror contact customer services.

### Cleaning:

The mirror edges are treated with a specially formulated sealant designed to protect the mirror edges from contaminants and discoloring. Failure to follow cleaning guide-lines can/will remove the benefits of the sealant.

NEVER use products containing bleach, cleaners of a gritty or abrasive nature or so called "glass and mirror" cleaning products, that can be detrimental to the long lasting finish of the mirror.

ONLY use a clean micro fiber cloth to clean the mirror and mirror frame.