



IMPORTANT SAFETY INSTRUCTIONS

When using an electrical furnishing, basic precautions should always be followed, including the following:
Read all instructions before using this furnishing.

DANGER - To reduce the risk of electric shock:

1. Always disconnect this furnishing from electrical power before maintenance.

WARNING - To reduce the risk of burns, fire, electric shock, or injury to persons:

1. Disconnect from grounded branch before putting on or taking off parts.
2. Close supervision is necessary when this furnishing is used by, or near children, invalids, or disabled persons.
3. Use this furnishing only for its intended use as described in these instructions. Do not use attachments not recommended by the manufacturer.
4. Never operate this furnishing if it has a damaged cord or plug, if it is not working properly, if it has been dropped or damaged, or dropped into water. Return the furnishing to a service center for examination and repair.
5. Keep the electrical wires away from heated surfaces.
6. Never operate the furnishing in shower. NOT FOR IN-SHOWER USE.
7. Never drop or insert any object into any opening.
8. Do not use outdoors.
9. Do not operate where aerosol (spray) products are being used or where oxygen is being administered.
10. To disconnect, turn all controls to the off position, then remove fixture from wall and disconnect grounded branch
11. This furnishing has an internal power supply box (LED Driver) with rating of AC 100-135V, Output 15V, 660mA.
This furnishing's mounting base plate attaches to a single-gang electrical box size 4 H x 2-1/8 W x 1-7/8 to 2-1/16 D inches
12. Risk of Electric Shock. Connect this furnishing to a properly grounded branch circuit.
See grounding instructions below.
13. This furnishing is intended for commercial and residential use only.

CAUTION

Furnishing may get Hot. Keep away from curtains and other combustible materials. - Do not touch hot lens, guard, or enclosure

Lamp gets HOT quickly!

- Contact only switch when turning on.

- Do not touch the lamp at any time. Use a soft cloth. Oil from skin may damage lamp.

Lighted lamp may become HOT!

- Keep lamp away from materials that may burn.

- Turn off power and allow to cool before replacing lamp.

Do not operate the luminaire with a missing or damaged shield.

Consult a qualified electrician to ensure correct branch circuit conductor.

GROUNDING INSTRUCTIONS

This product must be connected to a grounded metal, permanent wiring system, or an equipment-grounding conductor must be run with the circuit conductors and connected to the equipment-grounding terminal or lead on the product.

USER-MAINTENANCE INSTRUCTIONS

1. This furnishing does not use lubricants. Servicing is to be performed by an authorized service representative.
2. Use ONLY a soft damp cloth to wipe clean and dry. DO NOT use cleaners or other solutions as it will damage the finish

SAVE THESE INSTRUCTIONS

KIMBALL and YOUNG

Model: 944-2-x5HW

Manufacturing Date: 06/2020

Input AC100-135V, 50/60Hz, Output 15V, 660mA

SUITABLE FOR DRY AND DAMP LOCATIONS

For Commercial and Residential Use Only

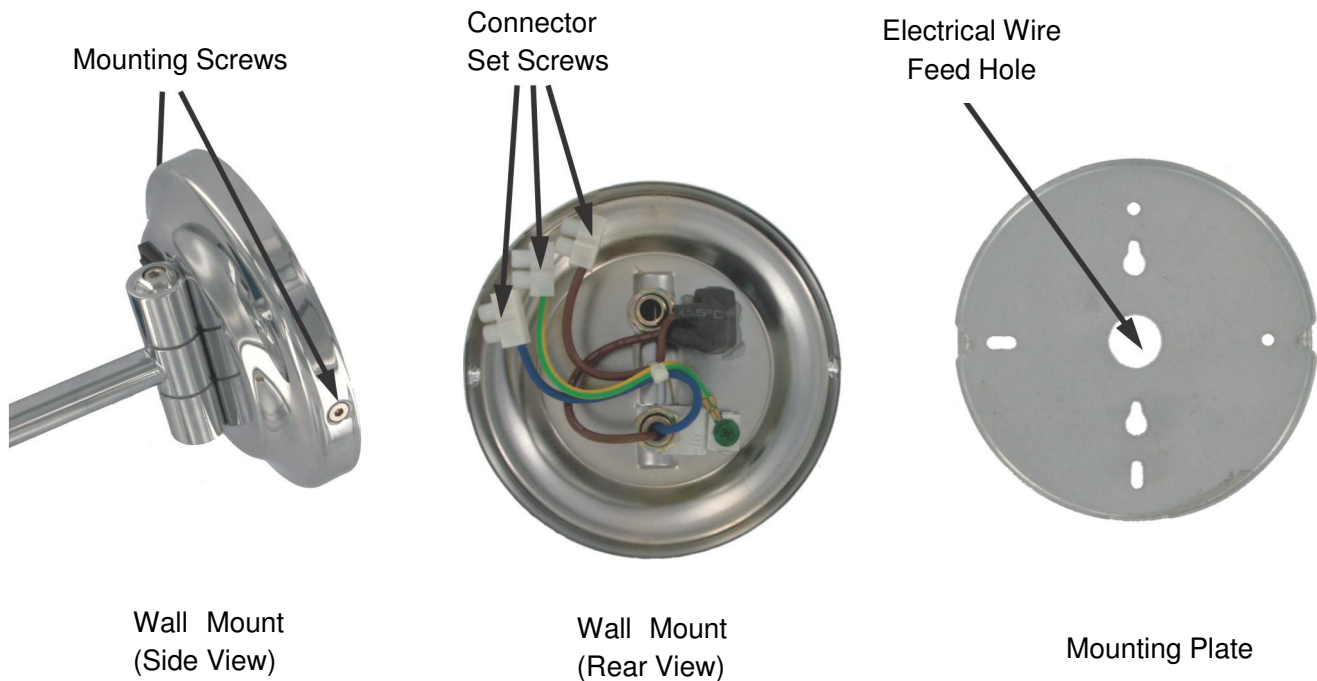
Kimball & Young

Lighted Wall Mirror Mounting & Wiring Instructions For

Models:

924HW, 944HW & 949HW

Kimball & Young recommends using a qualified electrician for all electrical wiring procedures. 110 VAC and electrical box must be installed at the desired location of the wall mirror before continuing. Installation must include ground wire.



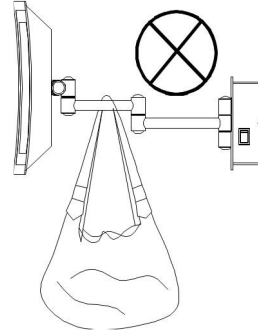
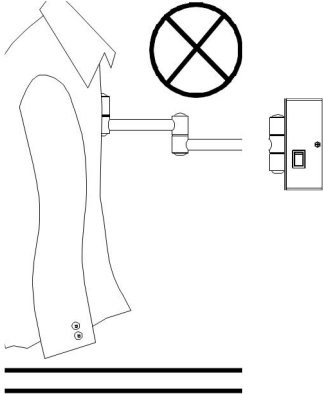
1. Remove the mounting screws on both sides of the mirror's wall mount.
2. Remove the mounting plate from the base.
3. Feed the electrical wire with the ground wire, from the electrical box, through the mounting plate.
4. On the wall mount, connect the white wire to the white wire connector and the black wire to the black wire connector and then tighten each set screw.
5. Connect ground wire from wall to the yellow with green stripe wire connector and then tighten the set screw.
6. Secure the mounting plate to the electrical box on the wall.
7. Install mirror and wall mount over the wall plate and secure using the two mounting screws.

WARNING: This product can expose you to chemicals including Chromium, which is known to the State of California to cause cancer or reproductive harm. For more information go to www.P65Warnings.ca.gov.

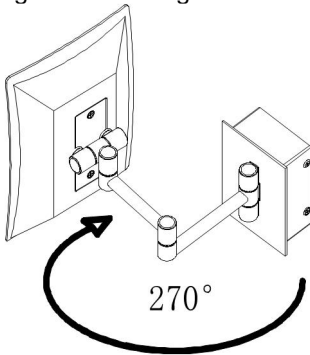
Kimball & Young

User Guide For Model:944HW

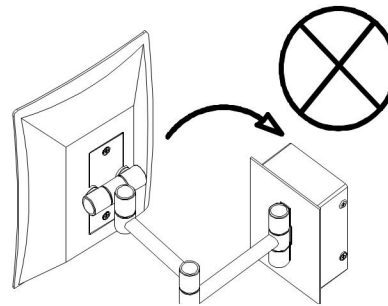
1. **DO NOT** hang clothes or towels on mirror for drying. | 2. **DO NOT** hang any items, such as handbags on the extension arms of mirror.



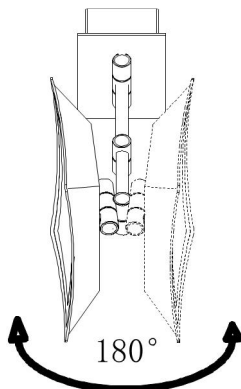
3. The short extension arm can rotate maximum to 270 degrees from long extension arm.



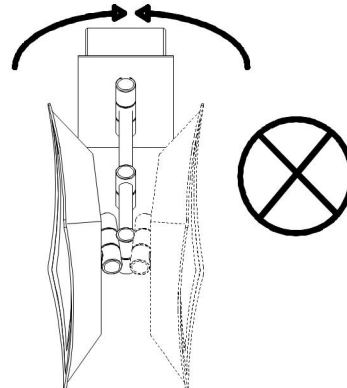
4. **DO NOT** push extension arms further once they reach 270 degrees.



5. The short extension arm can rotate maximum to 180 degrees from long extension arm.



6. **DO NOT** push extension arms further once they reach 180 degree.



7. **DO NOT** rotate mirror or arms rapidly or in great force over 20LBS. Correct rotation should be slow and gentle. **DO NOT** rotate mirror in single direction repeatedly for many times.

